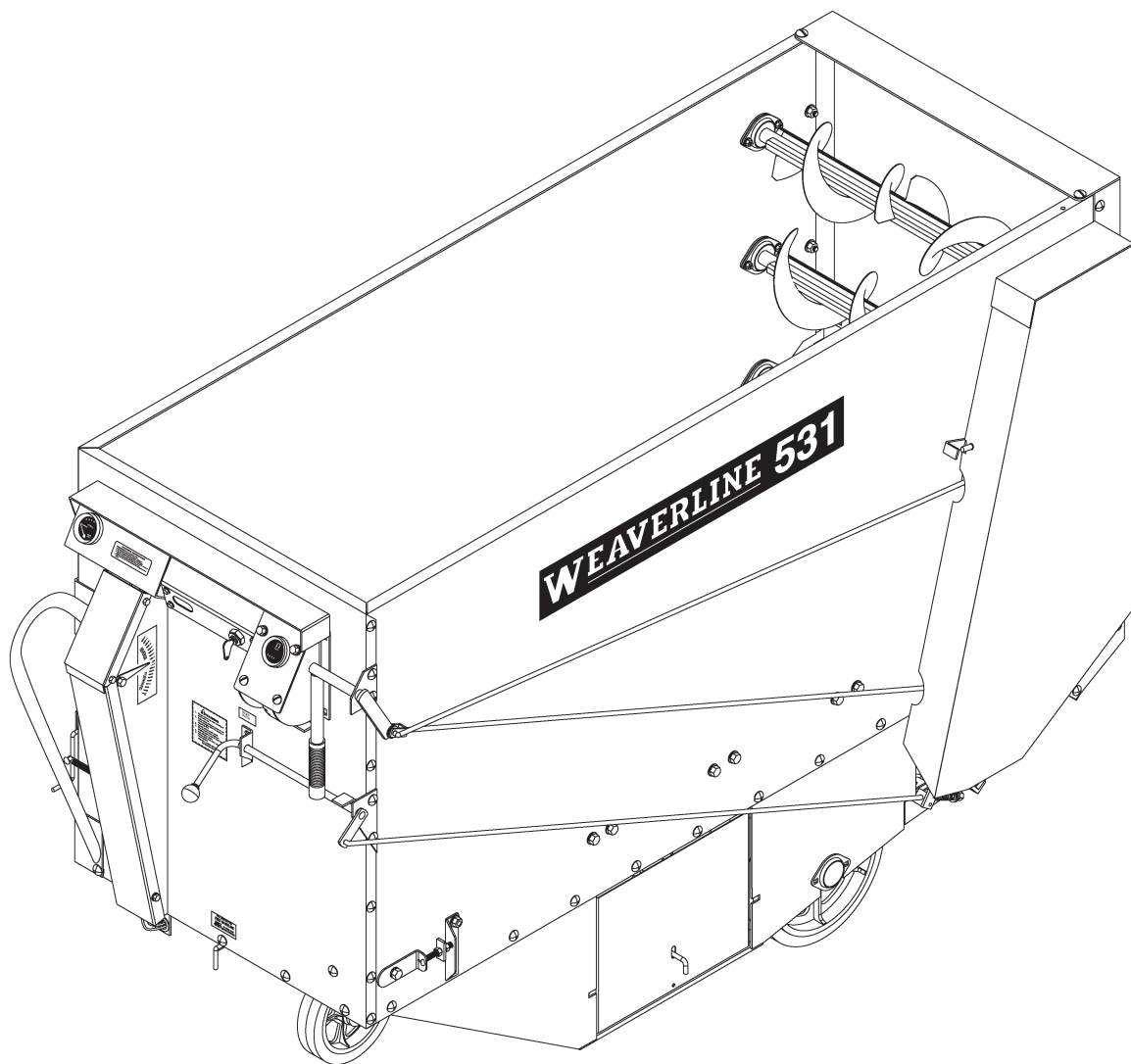


**BATTERY POWERED
FEED CART
OPTIONAL PARTS MANUAL
FOR
MODELS 521, 525, 531 & 537**



WEAVERLINE

Churchtown, PA 17555

AUGUST 2009

CAT.# OPM521525531537-0809

WARRANTY

Weaverline battery power feed cart are designed and manufactured to high quality standards. Weaverline, LLC therefor guarantees this equipment to be free from defect in workmanship and materials for one (1) year from the date of purchase.

This Warranty is further described as:

- Full warranty on all parts for one (1) year from the date of purchase.
- The motor and hydrostatic transmission have a three (3) year Pro-Rata warranty.
- The batteries have a four (4) year Pro-Rata warranty.

This warranty is for parts only. Warranty does not include labor.

Misuse, abuse, misapplication, and unauthorized alterations will void this warranty.

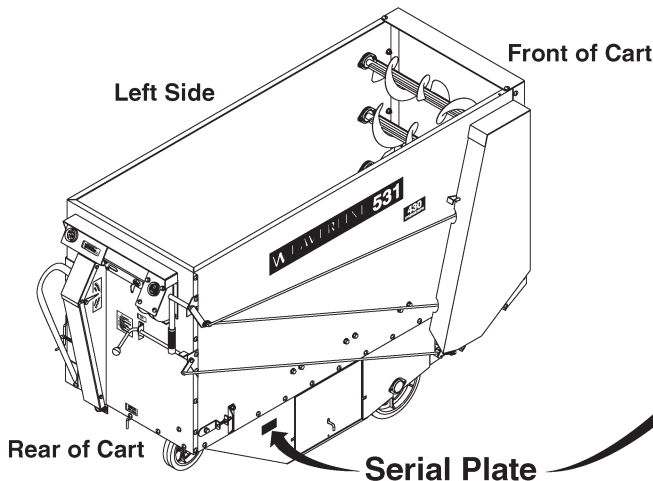
PARTS AND SERVICE

Weaverline recommends going to your local Weaverline dealer when replacement parts and service are required. Weaverline dealers have experience in servicing these machines and stock most of the parts needed to keep your feed cart in working condition.

If you do not know who your local dealer is, or if your local dealer is unable to supply the parts that you need, please contact Weaverline, LLC, 180 Bootjack Road, Churchtown, PA 17555 Phone number 717-445-6724 for information on receiving parts and service.

MODEL AND SERIAL NUMBERS

It is very important that the correct model and serial number is provided when ordering parts. The serial plate is located on the rear right corner of the undercarriage. Always refer to these numbers when ordering options, parts, service or information. Enter this information below for speed reference. **Removal of or tampering with this tag can void warranty!**



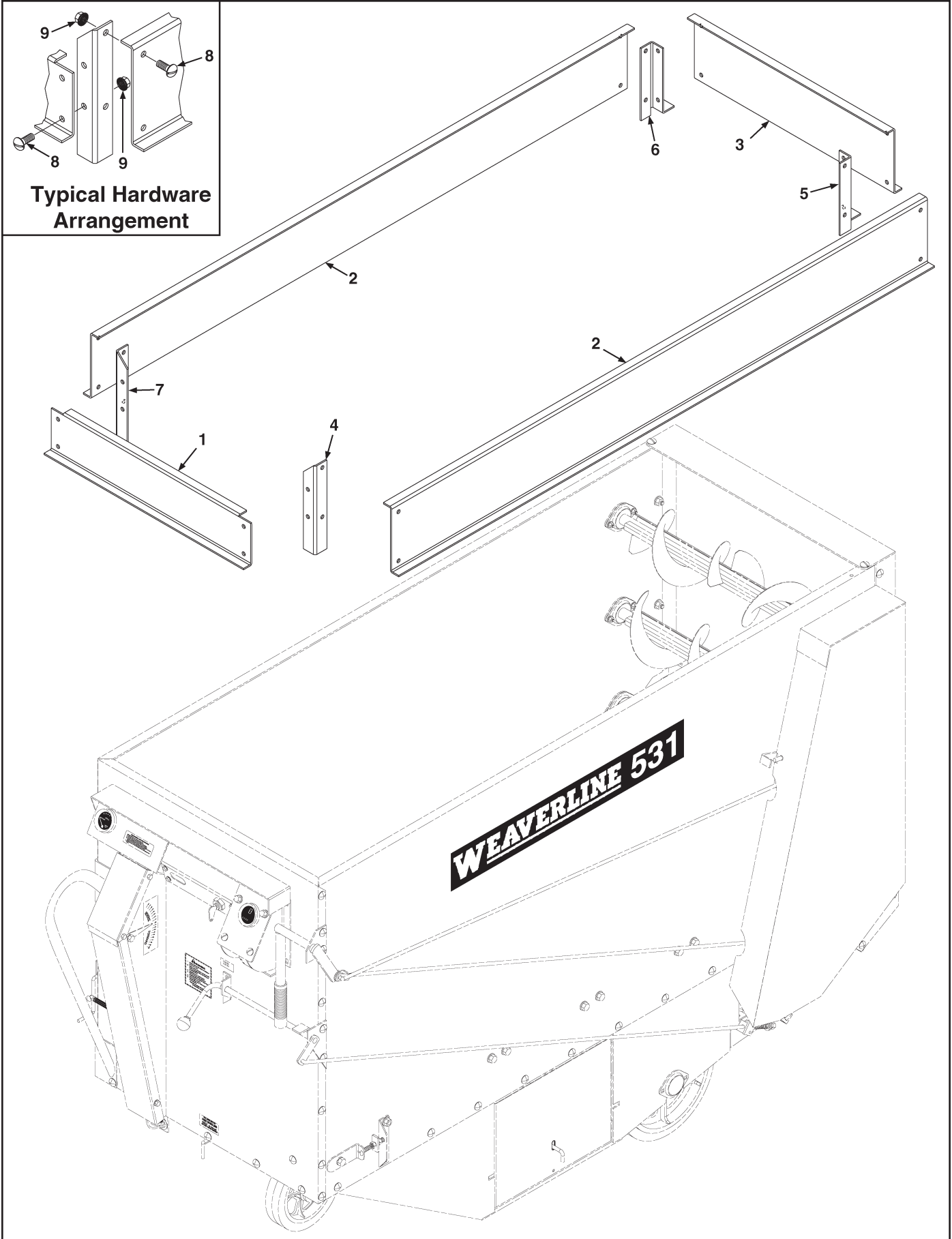
WEAVERLINE, LLC	
Model No.	<input type="text"/>
Serial No.	<input type="text"/>
CHURCHTOWN, PA 17555-9705	

NOTE: Weaverline, LLC reserves the right to discontinue models at any time, change specifications, and improve design without incurring obligation on goods previously purchased and to discontinue supplying any part listed when the demand does not warrant production. However, Weaverline tries to supply original parts or a comparable replacement for at least ten (10) years after a model production is stopped.

Parts List Index

WEAVERLINE

Side Extension Kit	2
Hay Special Kit	4
Front & Side Unloading.....	6
Corn Baffle Kit	8
Drive Wheel Right Side.....	10
Drive Wheel Left Side	12



Side Extension Kit

WEAVERLINE

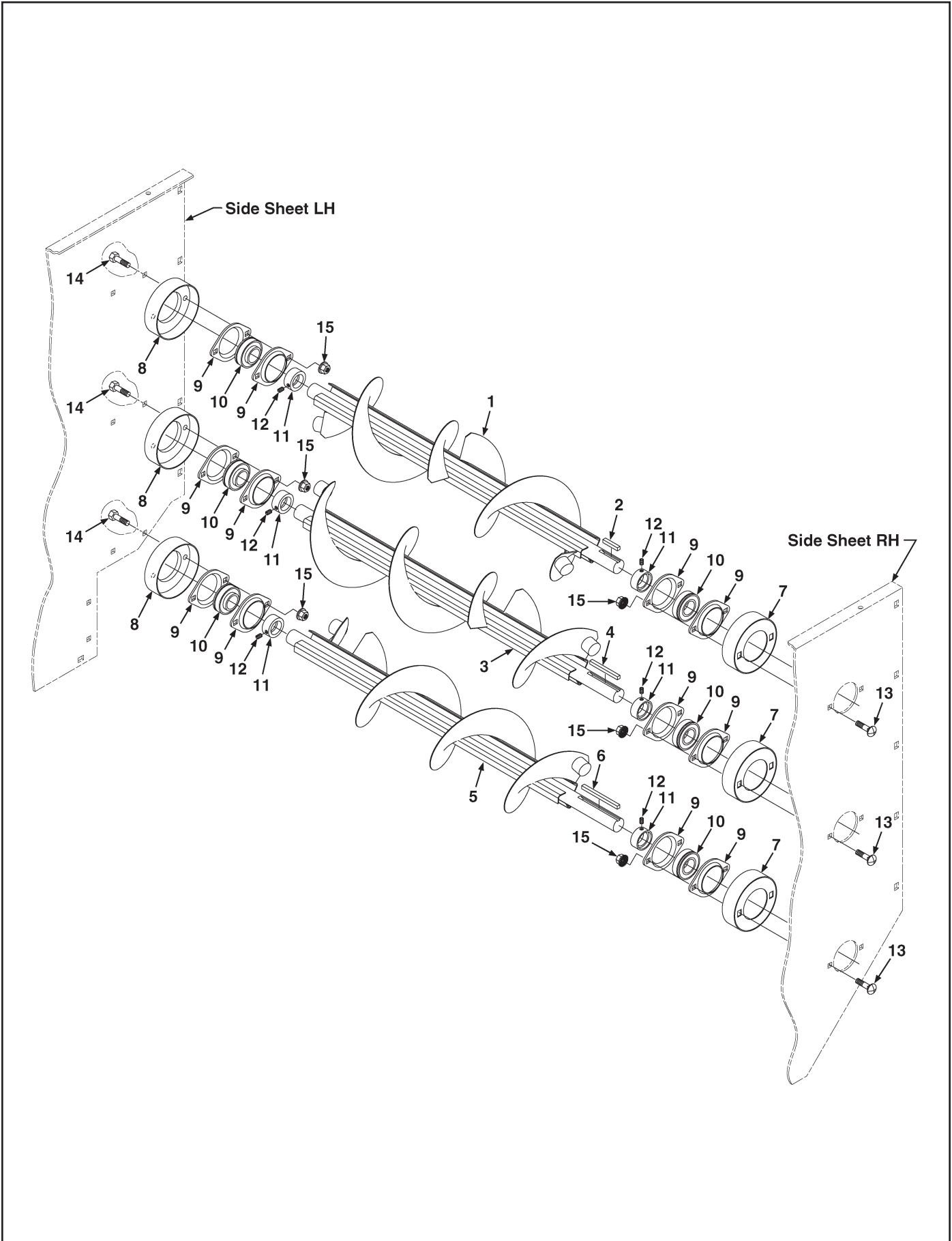
ITEM	PART NO.	QTY	DESCRIPTION
1	404-425	1	Extension, Rear, SS, 6", Model 521
	404-416	1	Extension, Rear, SS, 6", Models 525, 531 & 537
	404-427	1	Extension, Rear, SS, 12", Model 521
	404-418	1	Extension, Rear, SS, 12", Models 525, 531 & 537
2	404-409	1	Extension, Side, SS, 6", Models 521 & 525
	404-410	1	Extension, Side, SS, 6", Model 531
	404-411	1	Extension, Side, SS, 6", Model 537
	404-412	1	Extension, Side, SS, 12", Models 521 & 525
	404-413	1	Extension, Side, SS, 12", Model 531
	404-414	1	Extension, Side, SS, 12", Model 525
	404-423	1	Extension, Front, SS, 6", Model 521
3	404-415	1	Extension, Front, SS, 6", Models 525, 531 & 537
	404-426	1	Extension, Front, SS, 12", Model 521
	404-417	1	Extension, Front, SS, 12" Models 525, 531 & 537
4	404-403	1	Angle, Rear Corner, RH, SS, 6"
	404-407	1	Angle, Rear Corner, RH, SS, 12"
5	404-401	1	Angle, Front Corner, RH, SS, 6"
	404-405	1	Angle, Front Corner, RH, SS, 12"
6	404-402	1	Angle, Front Corner, LH, SS, 6"
	404-406	1	Angle, Front Corner, LH, SS, 12"
7	404-404	1	Angle, Rear Corner, LH, SS, 6"
	404-408	1	Angle, Rear Corner, LH, SS, 12"
8	63-016	16	Screw, Whiz, Truss Head, 5/16"-18UNC x 1/2" Long
9	63-010	16	Nut, Flange Hex, Whiz, 5/16"-18UNC

AR - As Required

NSS - Not Serviced Separately

ASN - After Serial No.

BSN - Before Serial No.



Hay Special Kit

WEAVERLINE

ITEM	PART NO.	QTY	DESCRIPTION
1	464-271	1	Auger WA, Top, SS, Model 521, Hay Special
	464-771	1	Auger WA, Top, SS, Models 525, 531 & 537, Hay Special
2	69-009	1	Key, 1/4" Sq. x 1" Long
3	464-270	1	Auger WA, Next to Top, SS, Model 521, Hay Special
	464-770	1	Auger WA, Next to Top, SS, Models 525, 531 & 537, Hay Special
4	69-012	1	Key, 1/4" Sq. x 2-3/8" Long
5	464-229	1	Auger WA, Third from Top, SS, Model 521, Hay Special
	464-529	1	Auger WA, Third from Top, SS, Models 525, 531 & 537, Hay Special
6	69-011	1	Key, 1/4" Sq. x 3" Long
7	464-102	2	Shield WA RH
8	464-101	1	Shield WA LH
9	202-916	2	Flangette, 2 Hole
10	202-915	1	Bearing
11	NSS	1	Collar
12	NSS	1	Setscrew
13	63-031	6	Bolt, Carriage, 5/16"-18UNC x 5/8" Long
14	63-034	6	Bolt, Hex Head, Gr5, 5/16"-18UNC x 7/8" Long
15	63-010	12	Nut, Flange Hex, Whiz, 5/16"-18UNC

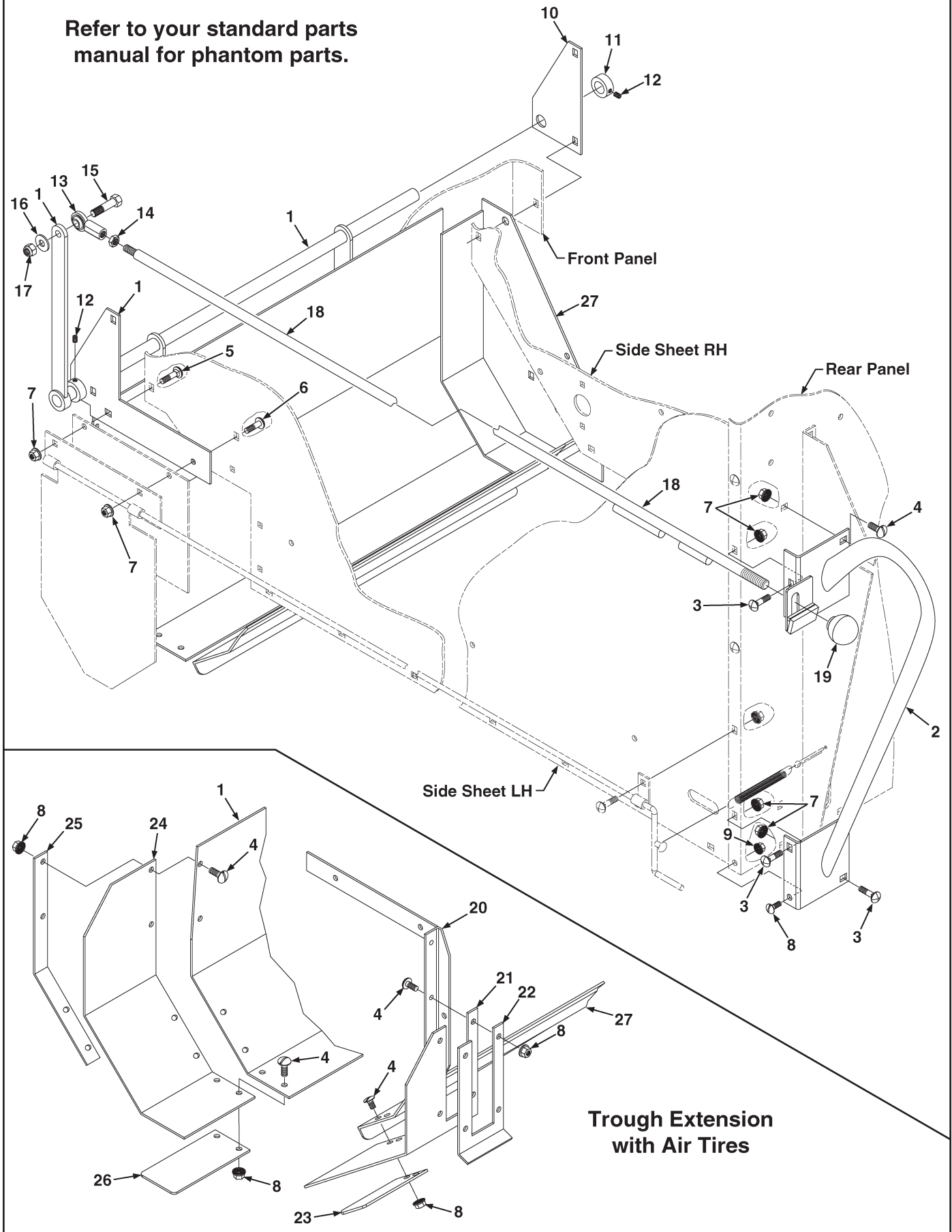
AR - As Required

NSS - Not Serviced Separately

ASN - After Serial No.

BSN - Before Serial No.

Refer to your standard parts manual for phantom parts.



Front & Side Unloading

WEAVERLINE

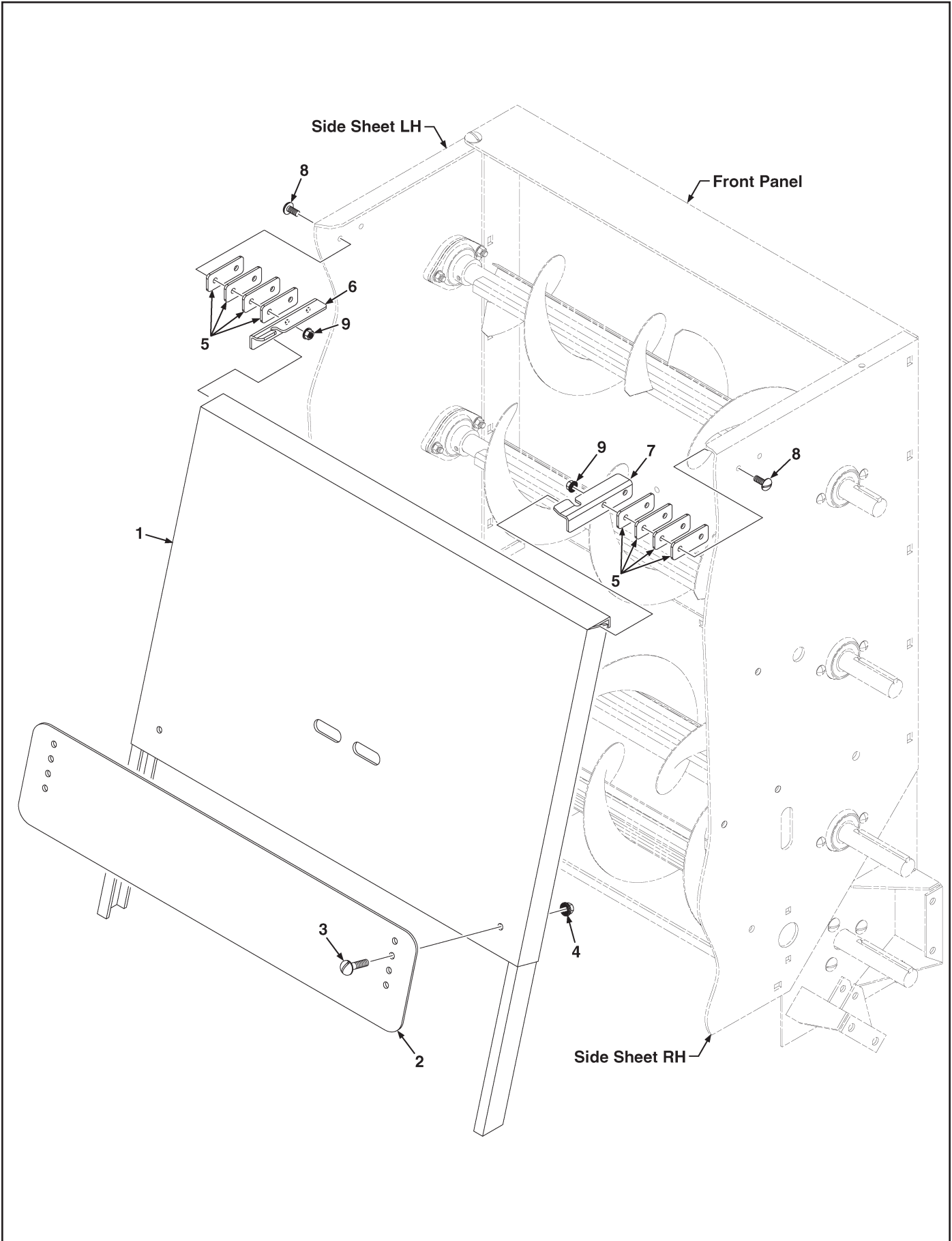
ITEM	PART NO.	QTY	DESCRIPTION
1	585-009	1	Door Assembly, Front Unloading, Model 521
	585-008	1	Door Assembly, Front Unloading, Models 525, 531, 537
2	485-034	1	Handle WA, LH
3	63-009	AR	Bolt, Carriage, 5/16"-18UNC x 3/4" Long
4	63-016	AR	Screw, Whiz, Truss Head, 5/16"-18UNC x 1/2" Long
5	63-018	AR	Bolt, Carriage, 5/16"-18UNC x 1" Long
6	63-030	AR	Screw, Whiz, Truss Head, 5/16"-18UNC x 3/4" Long
7	63-010	AR	Nut, Flange Hex, Whiz, 5/16"-18UNC
8	62-023	1	Screw, Whiz, Truss Head, 1/4"-20UNC x 5/8" Long
9	62-002	1	Nut, Flange Hex, Whiz, 1/4"-20UNC
10	585-004	1	Bracket, Hinge, RH
11	404-826	1	Collar Assembly, Includes Item 12
12	NSS	AR	Setscrew
13	202-911	1	End Bearing Assembly, Includes Item 14
14	64-007	1	Nut, Jam, 3/8"-24UNF
15	64-001	1	Bolt, Hex Head, 3/8"-16UNC x 1-1/4" Long
16	64-027	1	Washer, Lock, Belleville, 3/8"
17	64-009	1	Nut, Hex, Nylon Lock, 3/8"-16UNC
18	585-010	1	Rod Weldment, Models 521 & 525
	585-011	1	Rod Weldment, Model 531
	585-012	1	Rod Weldment, Model 537
19	202-479	1	Knob
20	505-208	1	Bracket, Weldment, Trough Extension F&S
21	585-014	1	Belting, Rubber, Rear Trough Extension F&S
22	585-018	1	Brace, Split Rubber Belting F&S
23	585-017	1	Bracket, Rear Belting F&S
24	585-013	1	Belting, Rubber, Front Trough Extension F&S
25	585-015	1	Strap, Front Belting F&S
26	585-016	1	Bracket, Front Belting F&S
27	585-019	1	Trough Base WA Model 521
	585-020	1	Trough Base WA Models 525, 531 & 537

AR - As Required

NSS - Not Serviced Separately

ASN - After Serial No.

BSN - Before Serial No.



Corn Baffle Kit

WEAVERLINE

ITEM	PART NO.	QTY	DESCRIPTION
1	303-081	1	Baffle Weldment Assembly, Model 521
	303-076	1	Baffle Weldment Assembly, Models 525, 531, 537
2	303-082	1	Plate, Adjustment, Model 521
	303-077	1	Plate, Adjustment, Models 525, 531, 537
3	63-016	2	Screw, Whiz, Truss Head, 5/16"-18UNC x 1/2" Long
4	63-010	2	Nut, Flange Hex, Whiz, 5/16"-18UNC
5	303-080	8	Plates, Spacer
6	303-079	1	Bracket, Mounting, LH
7	303-078	1	Bracket, Mounting, RH
8	62-011	4	Screw, Whiz, Truss Head, 1/4"-20UNC x 3/4" Long
9	62-002	4	Nut, Flange Hex, Whiz, 1/4"-20UNC

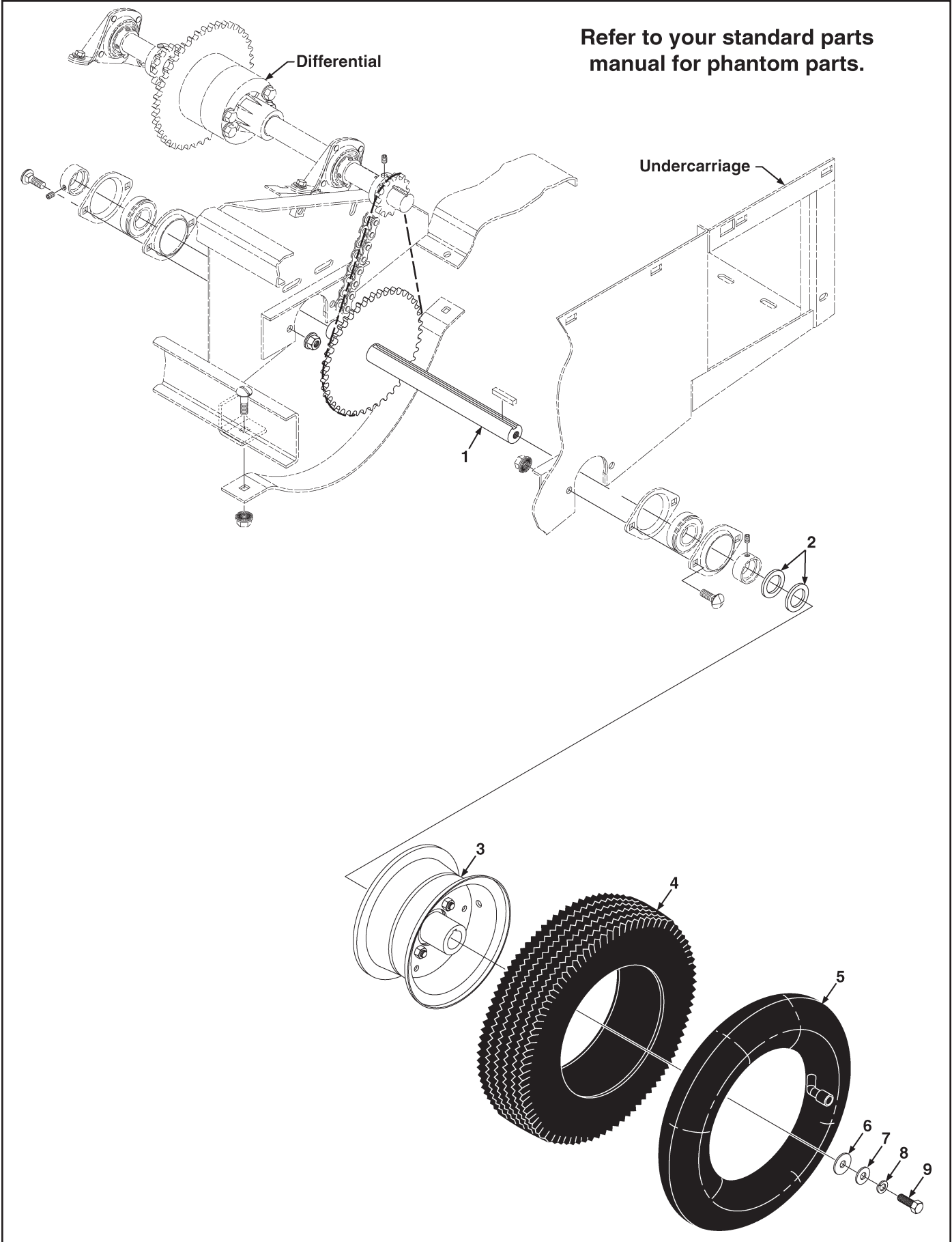
AR - As Required

NSS - Not Serviced Separately

ASN - After Serial No.

BSN - Before Serial No.

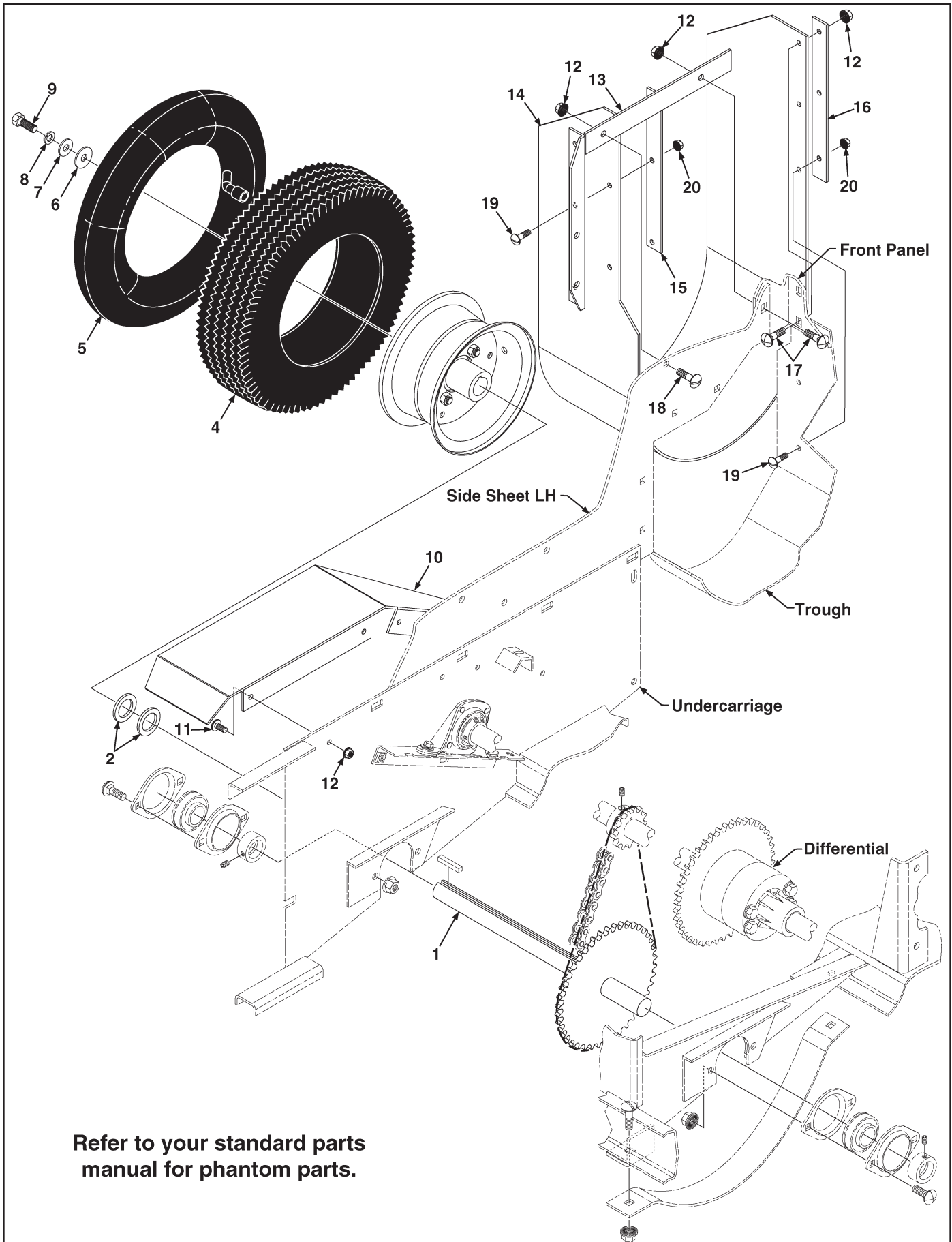
Refer to your standard parts manual for phantom parts.



Drive Wheel Right Side

WEAVERLINE

ITEM	PART NO.	QTY	DESCRIPTION
1	414-247	1	Axle & Sprocket WA
2	68-006	2	Washer, Flat, 1" ID x 1-1/2" x 10 Gauge
3	414-107	1	Wheel & Hub Assembly
4	414-101	1	Tire, Air, 6"
5	414-102	1	Tube, 6" Tire
6	202-518	1	Washer, Flat, Special, 3/8"
7	64-011	1	Washer, 3/8" SAE
8	64-006	1	Washer, Lock, 3/8"
9	64-024	1	Bolt, Hex Head, 3/8"-16UNC x 1" Long
<div style="display: flex; justify-content: space-between; font-size: small;"> AR - As Required NSS - Not Serviced Separately ASN - After Serial No. BSN - Before Serial No. </div>			



Refer to your standard parts manual for phantom parts.

Drive Wheel Left Side

WEAVERLINE

ITEM	PART NO.	QTY	DESCRIPTION
1	414-246	1	Axle & Sprocket WA
2	68-006	2	Washer, Flat, 1" ID x 1-1/2" x 10 Gauge
3	414-107	1	Wheel & Hub Assembly
4	414-101	1	Tire, Air, 6"
5	414-102	1	Tube, 6" Tire
6	202-518	1	Washer, Flat, Special, 3/8"
7	64-011	1	Washer, 3/8" SAE
8	64-006	1	Washer, Lock, 3/8"
9	64-024	1	Bolt, Hex Head, 3/8"-16UNC x 1" Long
10	414-108	1	Fender
11	63-016	4	Screw, Whiz, Truss Head, 5/16"-18UNC x 1/2" Long
12	63-010	8	Nut, Flanged Hex, Whiz, 5/16"-18UNC
13	505-208	1	Bracket, Weldment, Trough Extension
14	505-149	1	Belting, Rubber, Trough Extension
15	505-114	1	Bracket, Trough Extension, Rear
16	505-115	1	Bracket, Trough Extension, Front
17	63-018	2	Bolt, Carriage, 5/16"-18UNC x 1" Long
18	63.030	1	Screw, Whiz, Truss Head, 5/16"-18UNC x 3/4" Long
19	62-020	4	Screw, Whiz, Truss Head, 1/4"-20UNC x 1/2" Long
20	62-002	4	Nut, Flanged Hex, Whiz, 1/4"-20UNC

AR - As Required

NSS - Not Serviced Separately

ASN - After Serial No.

BSN - Before Serial No.